

sinbad
engineering corp

Duryea Wireless Timing System Installation

August 20, 2020

This page intentionally left blank

Summary

For the Duryea PHA Hillclimb course, the start and finish lines are on opposite sides of the mountain from each other. However, we have excellent line of site from the parking lot near the old Pagoda start line (turn 2) and the finish line.

For this event, we located the B T-Link antenna on at the overlook before the finish line, the Z T-Link antenna in the grassy area across from the old Parks building (at turn 2), and the A T-Link antenna near the Z T-Link unit. Because the antennas are not within 50 feet of the start and finish lines, we also need to run cable for this event for all 3 T-Link units.

Antenna Setup Detail

B T-Link	Antenna Type	Yagi – Use 14dBi antenna belonging to BMR
	Location	At overlook before finish line. Stakes in road about 19' from guardrail posts
	Height	35'
	Direction	Minimum angle down, aimed at 230° (magnetic)
Z T-Link	Antenna Type	Yagi – Use 14dBi antenna belonging to BMR
	Location	Near old pagoda start line, in grassy area to north of vendor / pit parking area NOTE: base is approx. 17.5' from road, 7.2' from lot
	Height	45'
	Direction	minimum angle up, and aimed at 48° (magnetic)
A T-Link	Antenna Type	Omni
	Location	Inside guy lines for Z Antenna Previously, placed between turn 1 and 2 and used 9 dB Yagi, but signal strength was poor
	Height	Place T-Link Unit on ground
	Direction	N/A

Cable Runs

B T-Link to Finish Sensor	Needed. Need to run approx 1000' cable from the overlook to the finish line. Use 1000' cable on hose reel.
A T-Link to Start Sensor	Needed. Need to run approx 1000' cable to the start line (use 3 300' sections on orange power cord reels with grey connector boxes).
Z T-Link to Timing Station	Needed. Need to run 1000' of cable from to the start line – use 1000' cable on hose reel. Also use wireless RS232 units across road at start line (to avoid cable crossing at start line).

Signal Strength at Previous Events

2011: Signal strength for B – Z T-Link was 80-100%, mainly 90% or better. . A – Z T-Link strength was 70-100%. Had no issues except when Z T-Link antenna mast collapsed one section, causing brief loss of signal.

2010: Signal strength was 80-100%, good enough to time the entire event. We had no timing issues or loss of signal until the B T-Link antenna was blow off course by 45 degrees during a storm on Sunday. Better mast support and guying of the mast would have prevented this problem. The rain itself was not a problem.

Map and Photos

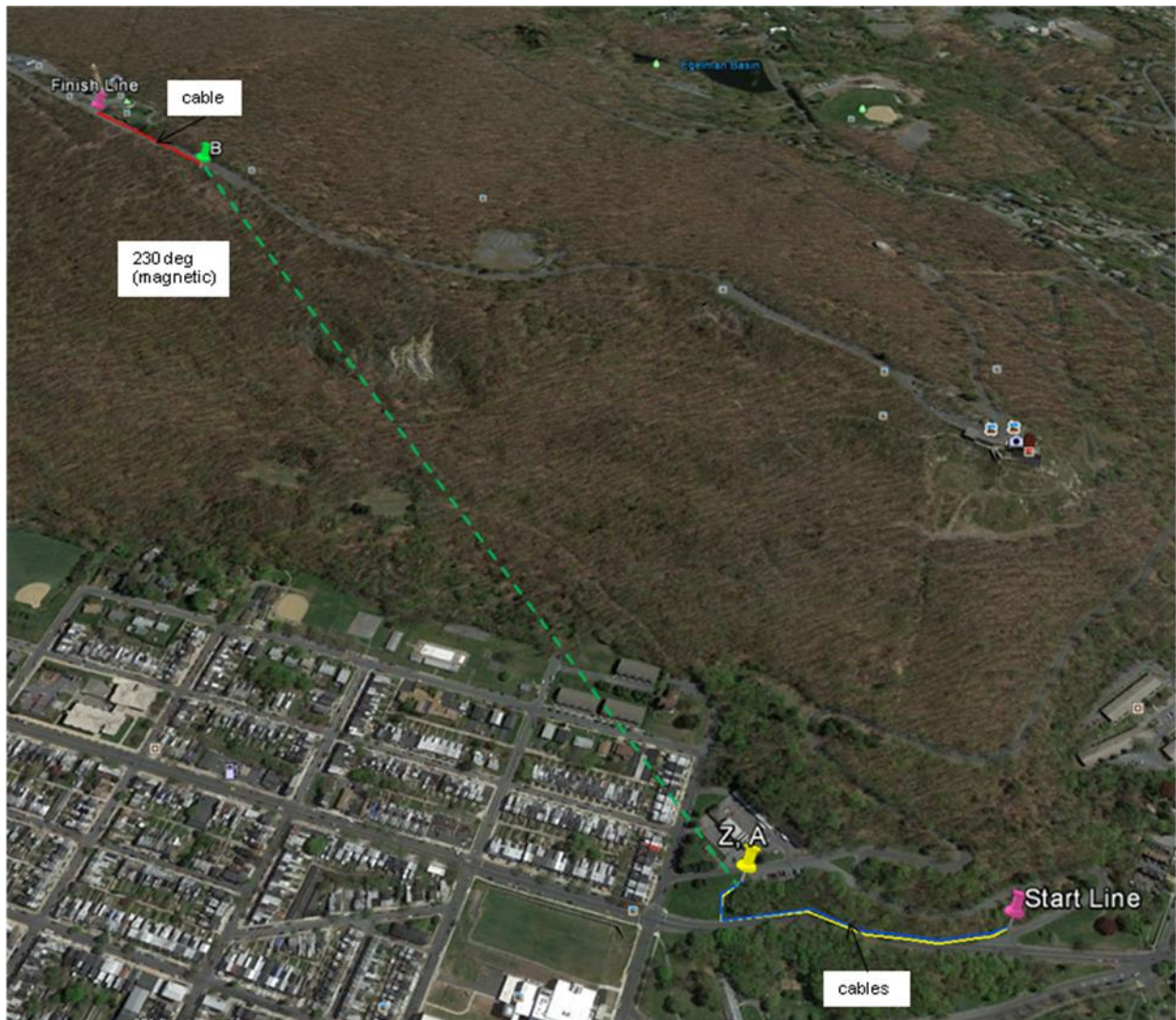


Figure 1: Duryea Course Map and Wireless Component Locations



Figure 2: Duryea Z T-Link Antenna Mast Base Position



Figure 3: Duryea Z T-Link Antenna Mast Direction



Figure 4: Duryea B T-Link Antenna Mast Base Position



Figure 5: Duryea B T-Link Antenna Mast Base Location

Duryea Finish tower at parking area along Duryea Drive
south of Fire Tower

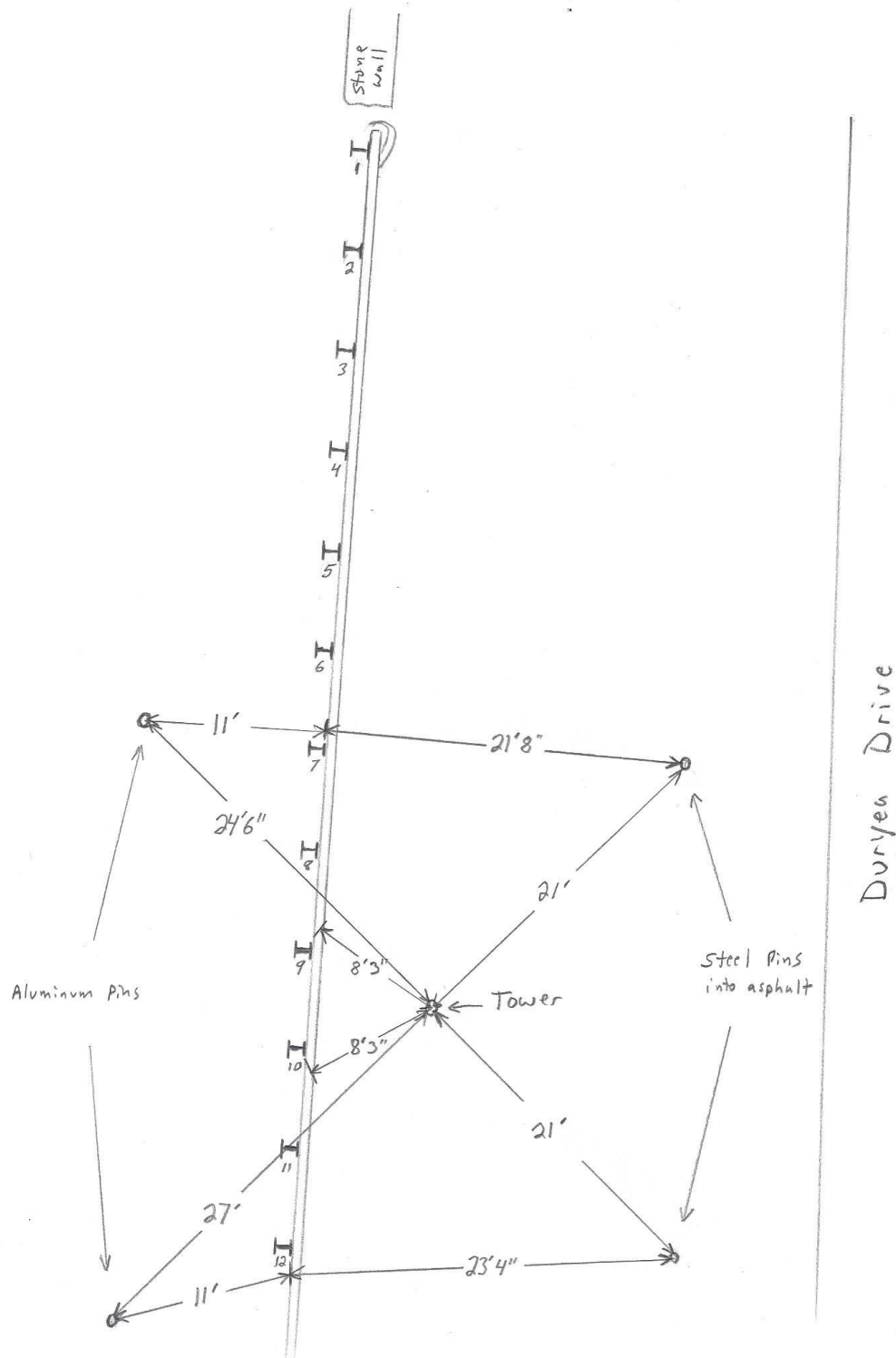


Figure 6: Duryea B T-Link Antenna Mast Base Mounting Diagram 1

Duryea Finish Tower
Parking area just south of fire Tower

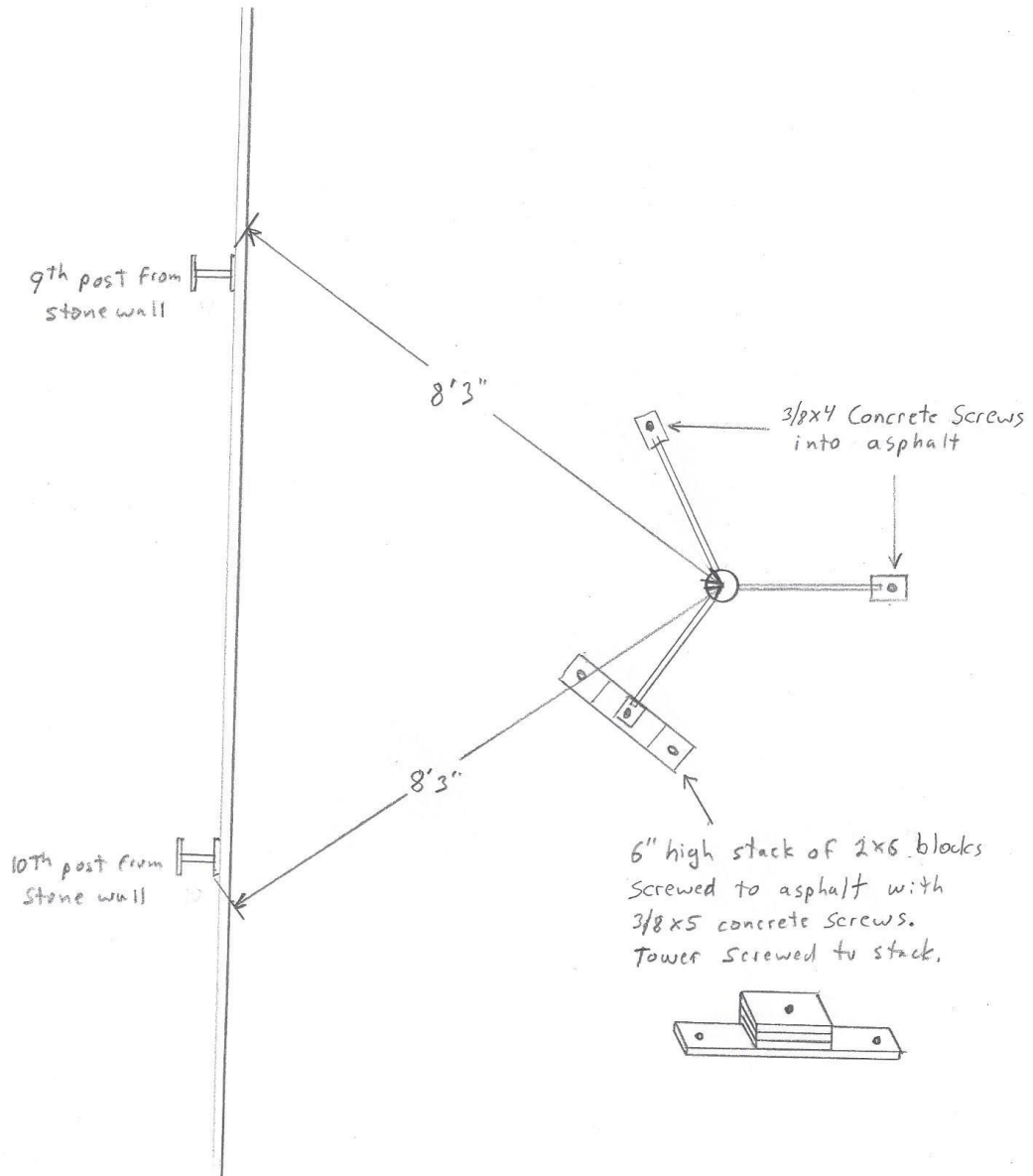


Figure 7: Duryea B T-Link Antenna Mast Base Diagram 2

A or B T-Link to Sensor Cabling

Since the A and B T-Link units are more than 50 feet from the start and finish lines, a long Cat5e cable is needed to connect the T-Link units to the timing sensors.

To connect this cable to the sensors and A or B T-Link units, you will need the following components:

- 1 Race America Sensor Cable
- 1 white RJ45 inline coupler
- 2 “Sensor Cat5e Coupler” gray boxes
- 2 “To Sensor or To RA Sensor Cable” cables

If you do not have a long enough cable, and need to connect together one or more cat 5e cables, use the Grey “Inline Coupler” boxes to connect the 2 cat 5e cables.

These components are connected as follows:

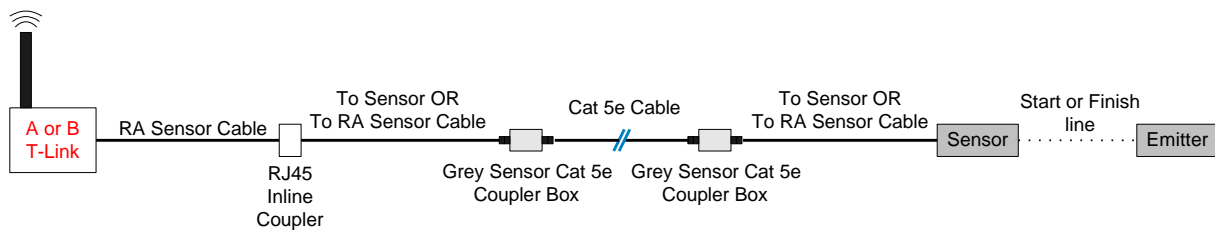


Figure 8: Sensor Long Distance Connection Wiring Diagram

NOTE: On the T-Link side, be sure to plug the RJ45 (8 pin) connector into the T-Link unit, and the RJ11 (6 pin) connector into the RJ45 inline coupler.

Also, the “Sensor Cat5e Coupler” gray boxes can be distinguished from the regular in-line coupler boxes, because one connector the standard Conec RJ45 connector (to match the waterproof connector on the Cat5e cable), and the other is an Assman RJ45 connector (to match the waterproof connector on the “To Sensor Or To RA Sensor Cable” cable).

Z T-Link to Timing Computer Cabling

For Duryea, a long Cat5e cable is needed to connect the Z T-Link unit to the computer. In order to handle the longer cable lengths, we need to convert the RS-232 signal to RS-422 using RS422 adapters. We also use the wireless RS232 units at the start line to avoid crossing the road to the Timing Station.

Note on power sources: the RS422 units require a 9V power source, which can be supplied via a 9V battery, or using the AC Transformer (if AC power is available). The 9V batteries can generally last for the entire day of an event, but a new battery should be used each day. You may also need to switch the 9V battery out mid day, depending on how long the event has run.

The wireless RS232 units require a USB power source, which can be supplied via a USB power pack, or using the AC Transformer (if AC power is available). The USB power pack should last the entire event. The main power packs are rechargeable and the spare power packs take 4 AA batteries.

To connect the Z T-Link to the Timing Computer, you will need the following equipment:

- 2 RS422 converters and power sources
- 1 Race America T-Link to Timing PC cable
- 1 DB9M / DB25M adapter
- 2 Grey Inline Coupler Boxes
- 1 RJ11 Straight Thru cable
- 1 RJ11 Crossover cable
- 1 DB9F / DB25M short cable
- Cat 5E cable to 4000 feet (if using more than one cable, also need one Grey Inline Coupler box to connect each set of cables).
- 2 wireless RS232 units and power sources
- 1 DB9M / DB9F null model adapter
- 1 DB9M / DB9M gender changer
- 1 DB9M / DB9F cable

These components are connected as follows:

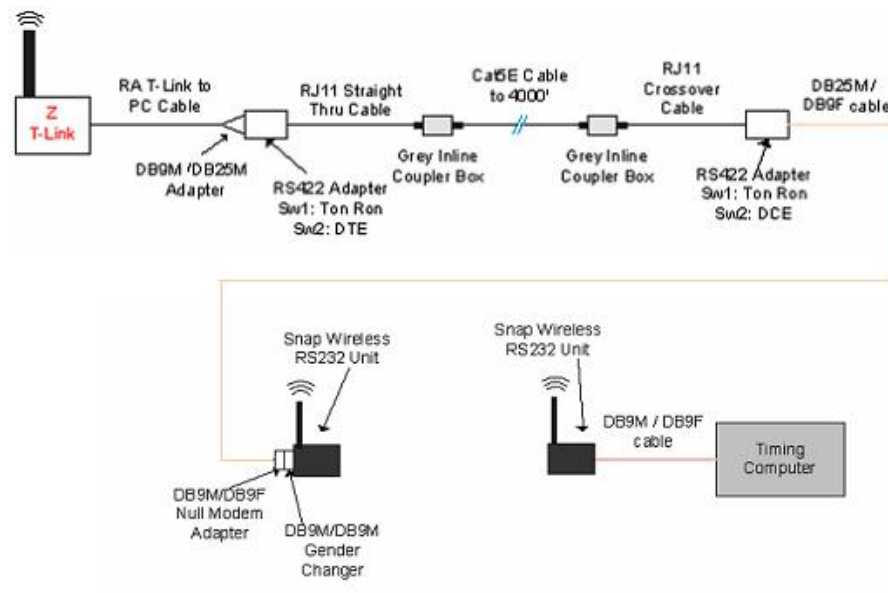
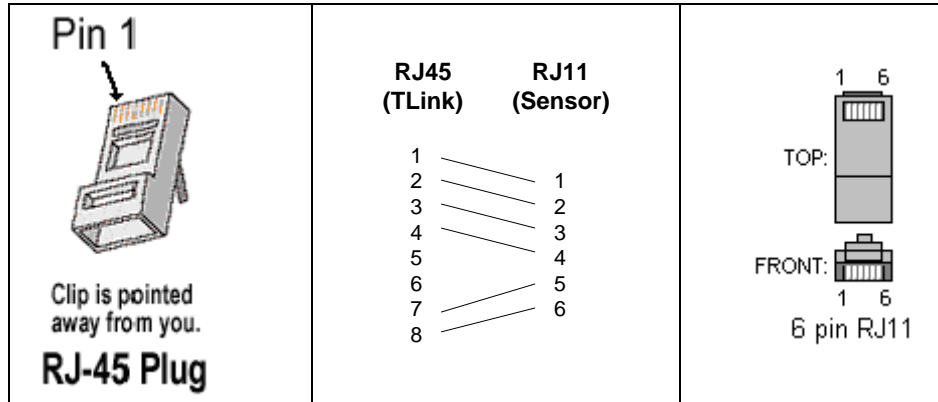


Figure 9: RS422 and Wireless RS232 Connection, Wiring Diagram

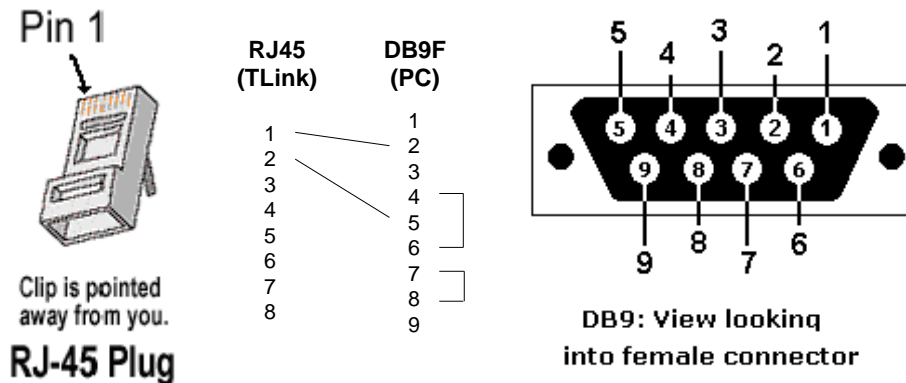
Cable Pinouts

This section includes pinouts for the Race America and other custom cables used for this event.

Race America Sensor Cable Pinout



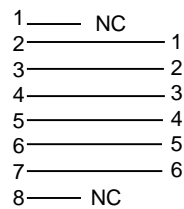
Race America Z T-Link to PC Cable Pinout



Custom "To Sensor or To RA Sensor Cable" cable

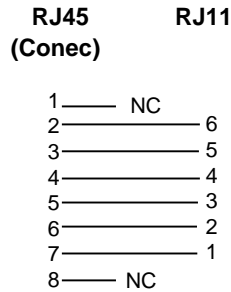
This cable is used to connect the Grey "Sensor Cat5e Coupler" boxes to the Race America sensors or to the Race America cable at the T-Link end. Note that this cable has an Assman RJ45 A-RJ45M-SR-R connector on one end (which plugs into the grey box), and an RJ11 connector on the other end (which plugs into the sensor or the white inline coupler used to connect to the Race America cable)

RJ45 (Assman) RJ11



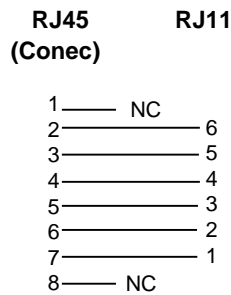
Custom “RJ11 Straight Thru” cable

This cable is used to connect the Grey “Sensor Cat5e Coupler” boxes to the RS422 adapter on the Z T-Link side. This cable has a Conec 17-10001 RJ45 connector on one end (which plugs into the grey box), and an RJ11 connector on the other end (which plugs into the RS422 adapter).



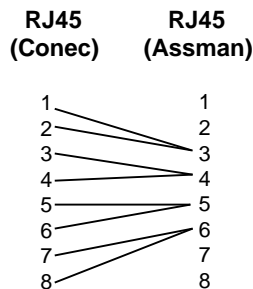
Custom “RJ11 Crossover Thru” cable

This cable is used to connect the Grey “Sensor Cat5e Coupler” boxes to the RS422 adapter on the Timing PC side. This cable has a Conec 17-10001 RJ45 connector on one end (which plugs into the grey box), and an RJ11 connector on the other end (which plugs into the RS422 adapter).



Grey “Sensor Cat5e Coupler” box

The grey “Sensor Cat5e Coupler” boxes have Conec 17-10019 jack on one side (with Conec 17-10002 cover), and Assman RJ45KU-R jack on the other side (with A-WP-COVER2-R connector). The grey box is Bud Industries PN-1331-DBG. These boxes convert 8 wires to 4 wires as follows:



Grey “RJ45 Inline Coupler” box

The grey RJ45 Inline Coupler boxes have Conec 17-10019 jacks on both sides (with Conec 17-10002 covers). These boxes are wired RJ45 straight thru. The box enclosure is Bud Industries PN-1331-DG.